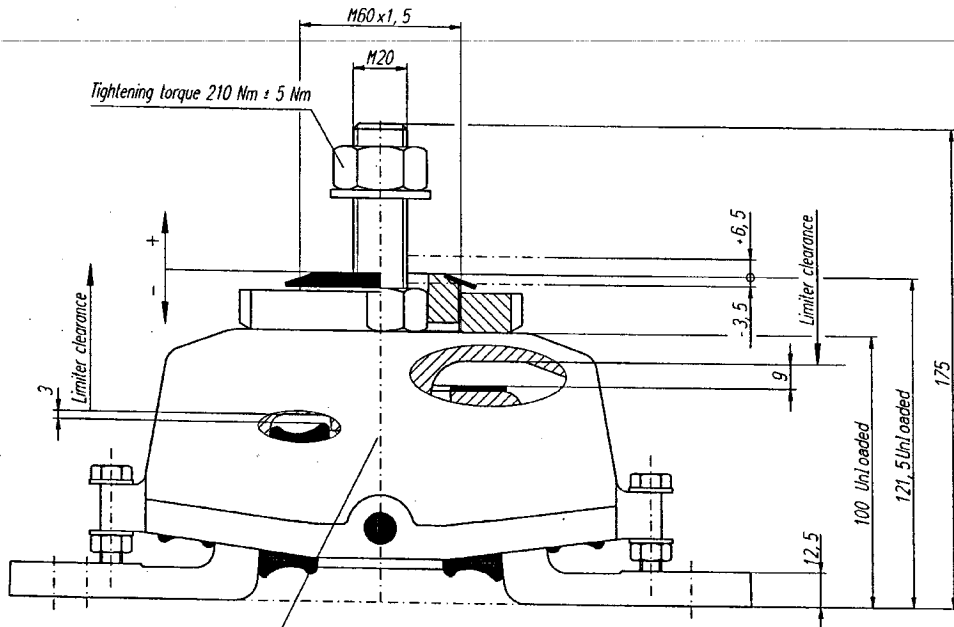
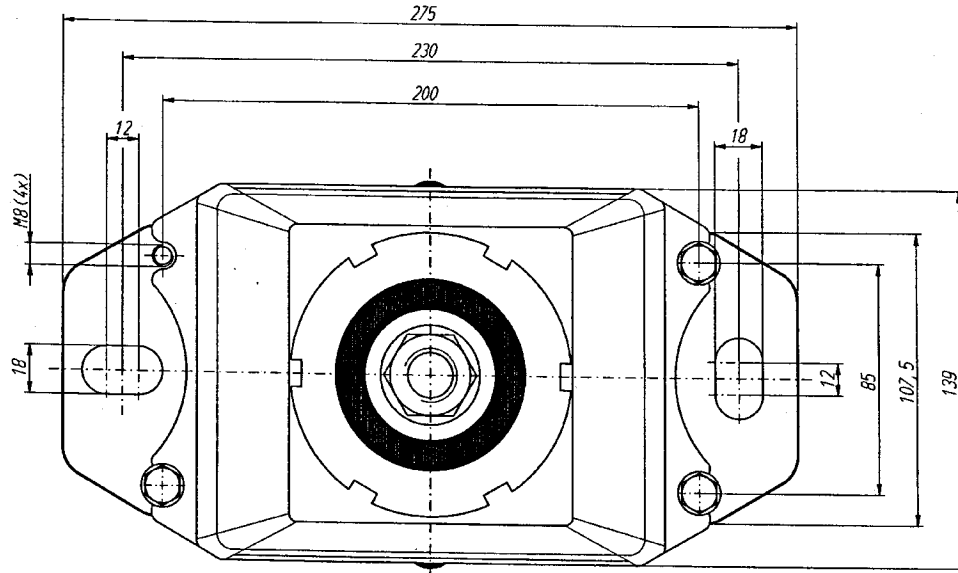


TT mount type 3



RUBBER-DESIGN
 45 50 55 60 65 70 75 SHA

Indicated rubber hardness

Patent registration nr. 1012075