



Technical Specifications Machinery Mounts - 60

BRB Type 60 Mounts

DESCRIPTION

Sounddown type BRB mounts are antivibration elements which work the rubber in shear and compression. Their tall height profiles produce large deflections, low natural frequencies, and excellent vibration isolation results. This range of mounts is suitable for applications where high vibration isolation in the 85-95% range is a priority.



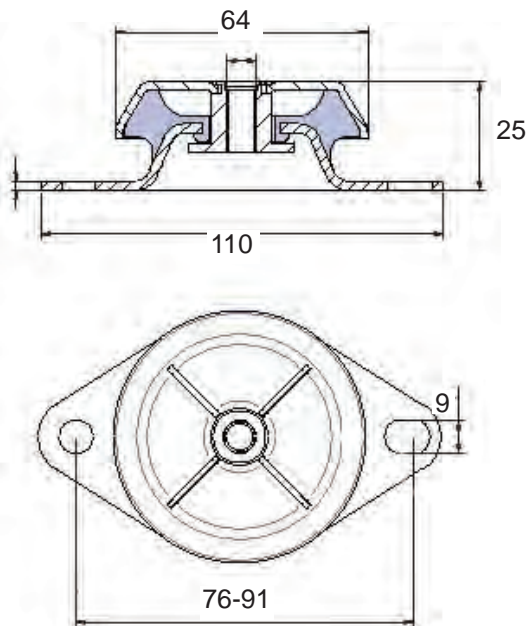
TECHNICAL CHARACTERISTICS

- The top metal hood protects the rubber from the Ozone, UV rays, diesel or oils which damage the rubber.
- The metal parts have a suitable anticorrosive treatment for outdoor applications.
- They have an interlocking metal component that provides a fail-safe protection for mobile applications. This device limits the ascending vertical movement when the mounting is submitted to shocks at traction.
- The mounts are clearly identified, as the bases are engraved with the type and hardness, which makes it possible to easily recognize the piece even after several years of use.
- The hood has a cross stamped on the top, which enhances its rigidity on mobile applications and also improves the evacuation of oils or liquids that precipitate onto it.

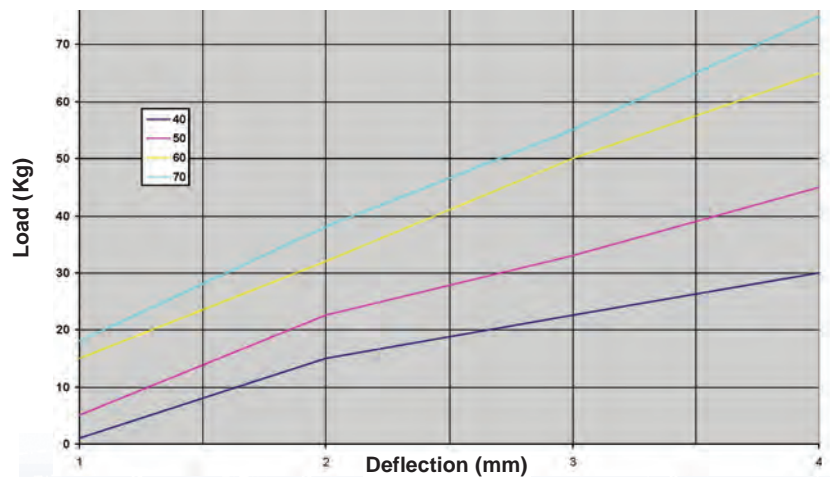
APPLICATIONS

This mount is suitable for the isolation of mobile rotating machines which are exposed to axial and radial shocks, dripping, oil diesel or exposure to the weather. It is particularly interesting for applications where a high level of vibration isolation is required.

TYPE		CODE	CODE	CODE	CODE
		40 Sh	50 Sh	60 Sh	70 Sh
BRB 60	Load (kg)	30	45	65	75



Load Deflection



All statements herein are expression of opinion that we believe to be accurate and reliable, but are presented without guaranty or responsibility on our part.

2010.1.A

8"ID (203,2mm) ENGINE EXHAUST PIPE

SOUNDOWN CORPORATION
17085 S. 100th St.
Tulsa, OK 74134
Phone: 918.439.1000
Fax: 918.439.1001

DESIGNED BY: R. HERTZ

http://www.sounddown.com

THE INFORMATION HEREIN IS THE PROPERTY OF SOUNDOWN CORP. ANY COPYING OR REPRODUCTION TO OTHERS AND ANY USE EXCEPT THAT FOR WHICH IT IS PROVIDED IS PROHIBITED WITHOUT THE WRITTEN PERMISSION OF SOUNDOWN CORP.

SOUNDOWN CORPORATION

ACOUSTIC INSULATION DETAIL

SIZE: A PART NO.: 001010 DWG NO.: 1010

SCALE: NONE DATE: 09-09-07