

In Marblehead, MA:
SOUNDOWN CORP.
17 Lime Street
Marblehead, MA 01945
Telephone 1-800-359-1036
Fax (781) 631-9231



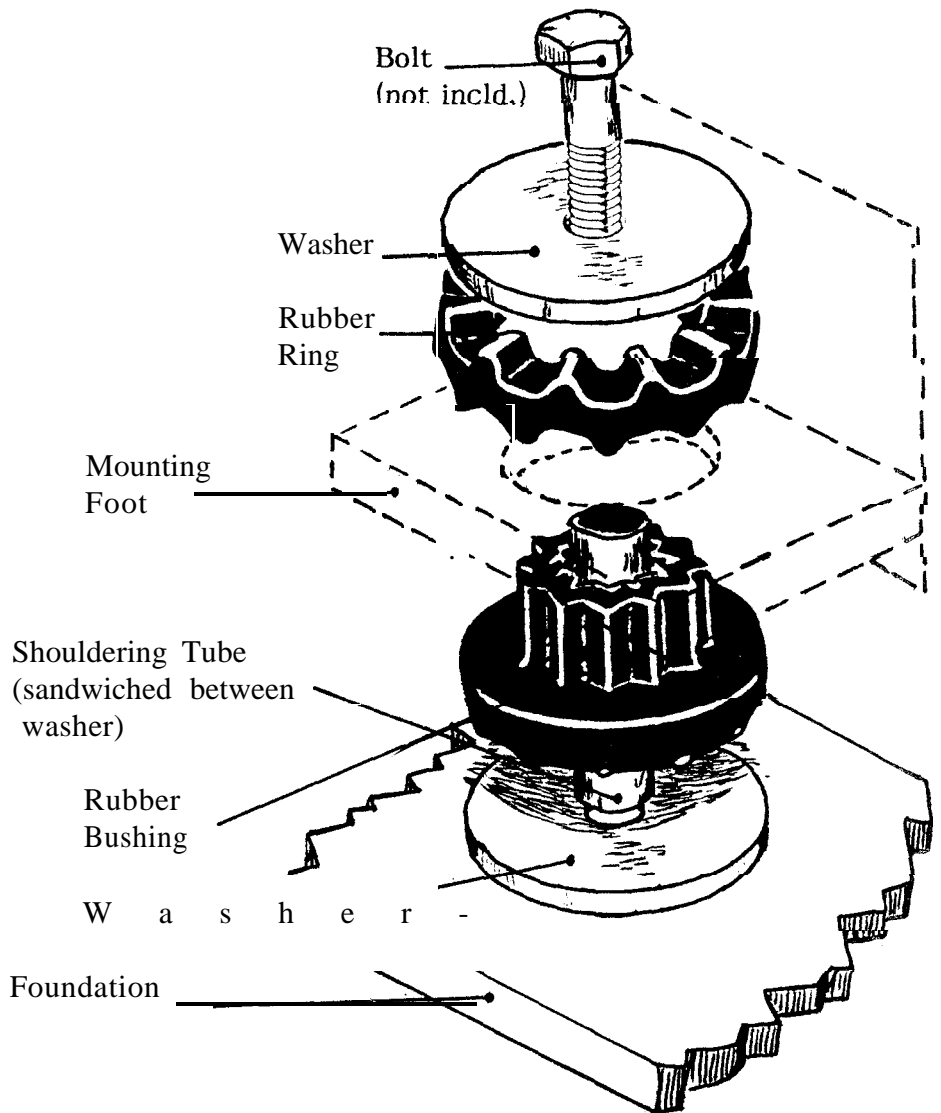
In Fort Lauderdale, FL:
SOUNDOWN CORP.
264 S.W. 33rd Street
Fort Lauderdale, FL 33315
Telephone (954) 761-9188
Fax (954) 761-3136

RING BUSHING MOUNTS for isolation of vibration

Ring Bushing Vibration Isolators

The Soundown ring/bushing mounting kit is a convenient device for isolating vibration that is produced by auxiliary equipment. The kit includes; a rubber isolator bushing and rebound ring, two washer plates and a shoulder tube. The tube enables the rubber mounts to be properly preloaded without over compression. It is sandwiched between the washer plates which provide a bearing surface for the elements. The washers also are a safety measure to insure positive capture of the mounted equipment in case of fire or rubber failure.

The mounts are available in four sizes that range from 12 to 350 pounds capacity. Each mount size is available in four stiffnesses. This section enables the mounts to be selected specifically for each application.



RING BUSHING MOUNTS



n FOR LOADS UP TO 12 LBS

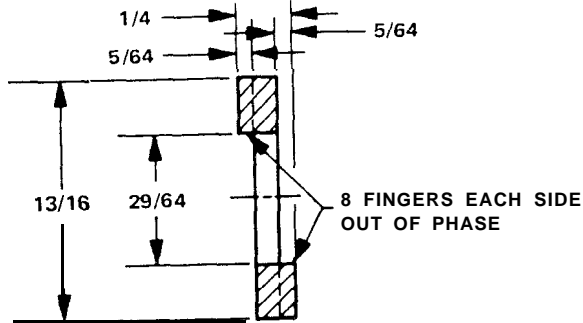


Figure 1 Ring Style

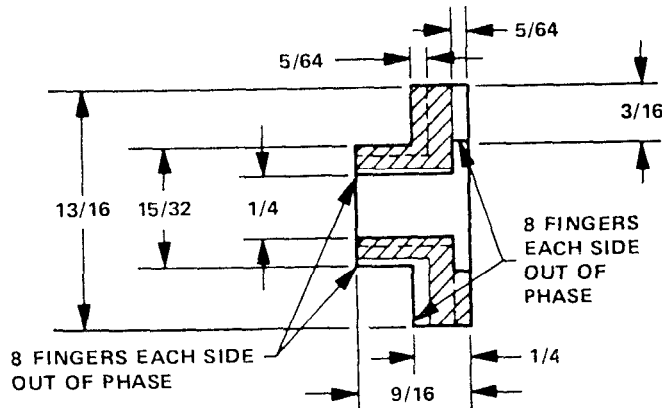
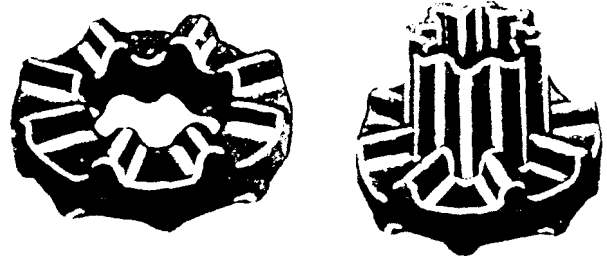
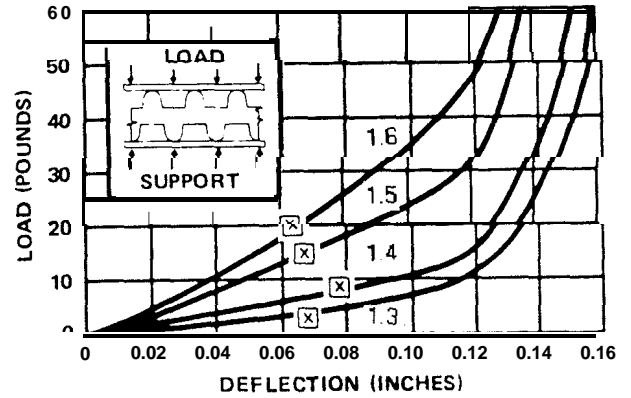


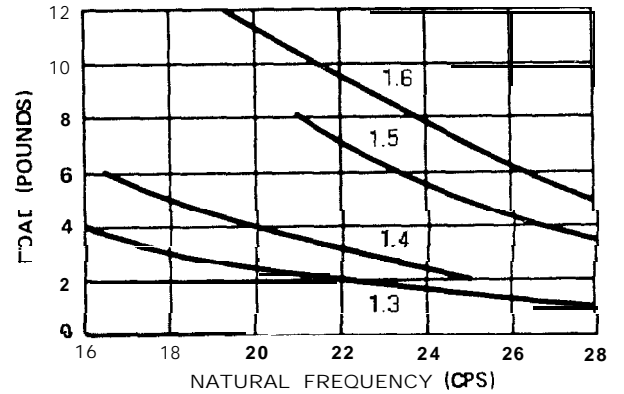
Figure 2 Bushing Style



MATERIAL: Natural Rubber



Deflections below the line X-X are considered safe practice for static loads; data above that line are useful for calculating deflections under dynamic loads.



MODEL

LOAD CAPACITY (MAX LBS)

1.3

4

1.4

6

1.5

9

1.6

12

RING BUSHING MOUNTS



n FOR LOADS UP TO 37 LBS

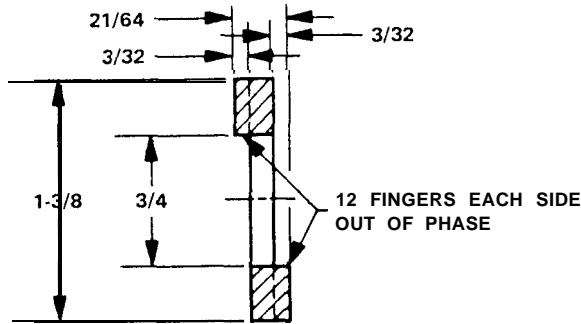


Figure 1 Ring Style

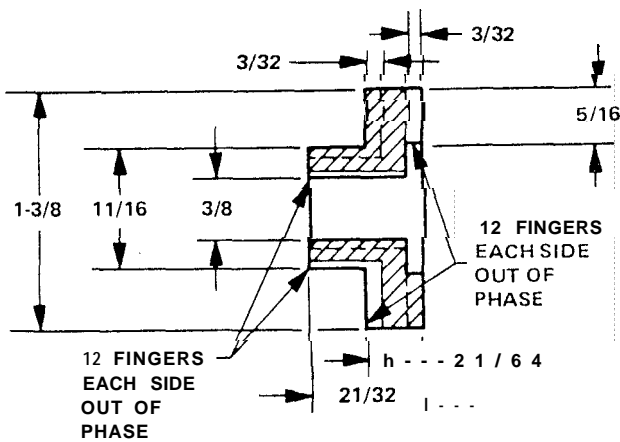
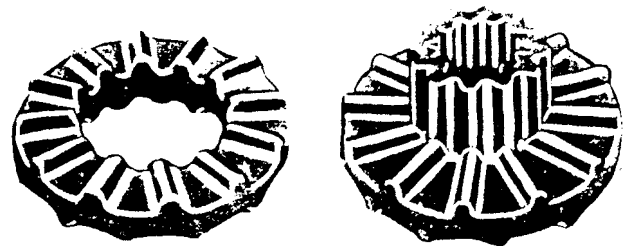
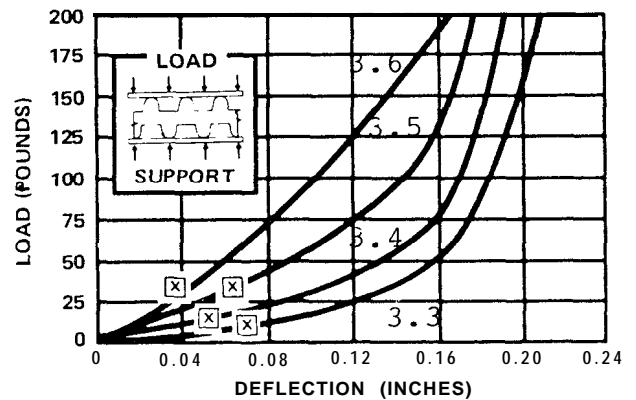


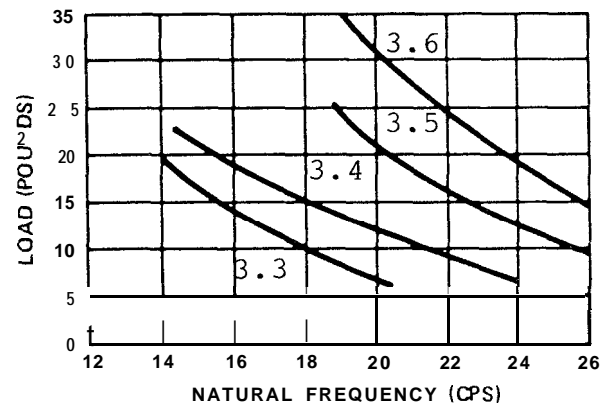
Figure 2 Bushing Style



MATERIAL: Natural Rubber



Deflections below the line X-X are considered safe practice for static loads; data above that line are useful for calculating deflections under dynamic loads.



MODEL

LOAD CAPACITY (MAX LBS.)

3.3

20

3.4

23

3.5

25

3.6

35

RING BUSHING MOUNTS



q FOR LOADS UP TO 80 LBS

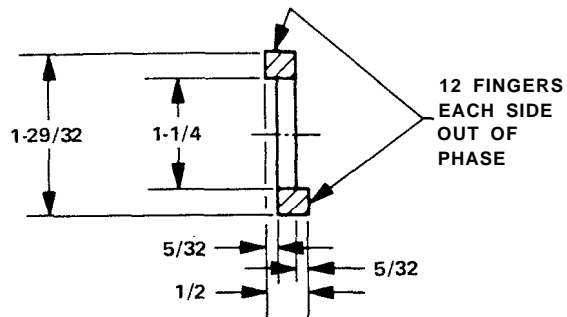


Figure 1 Ring Style

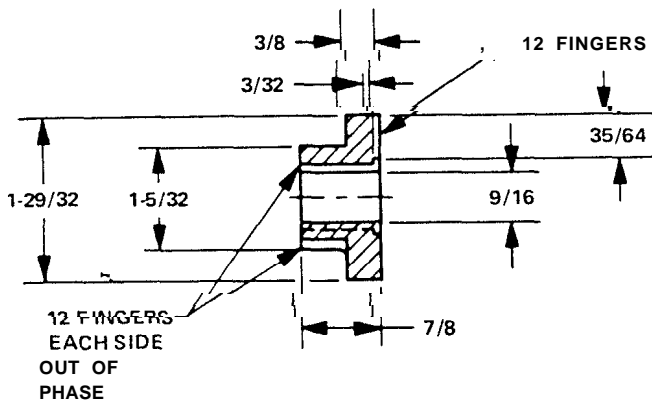
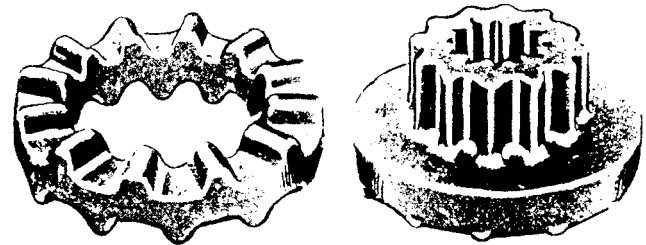
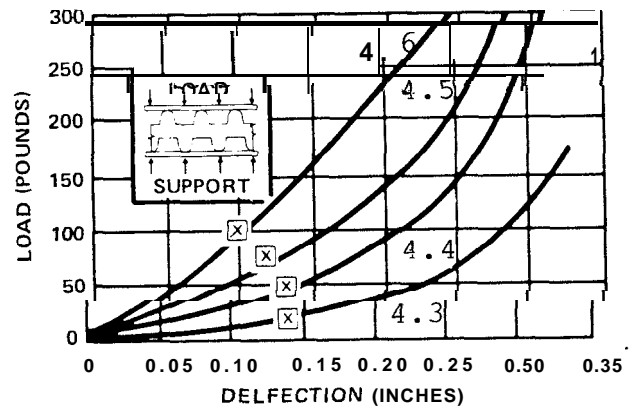


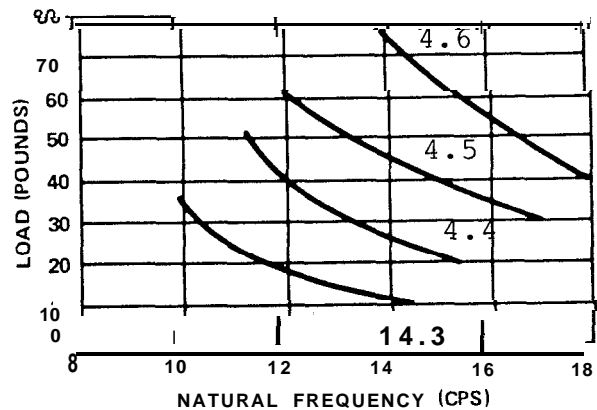
Figure 2 Bushing Style



MATERIAL: Natural Rubber



Deflections below the line X-X are considered safe practice for static loads; data above that line are useful for calculating deflections under dynamic loads.



MODEL

LOAD CAPACITY (MAX LBS.)

4.3

35

4.4

50

4.5

60

4.6

75

RING BUSHING MOUNTS



■ FOR LOADS UP TO 350 LBS

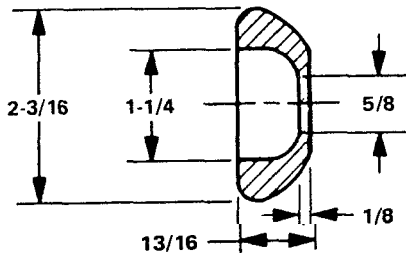


Figure 1 Ring Style

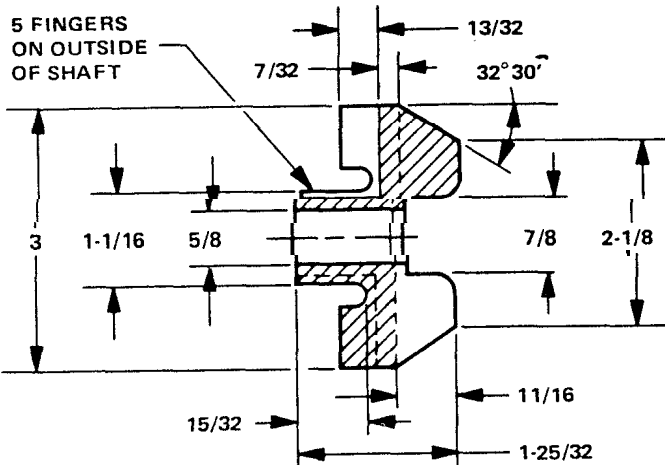
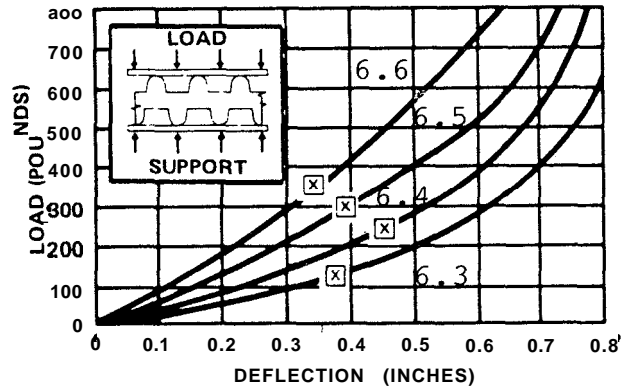


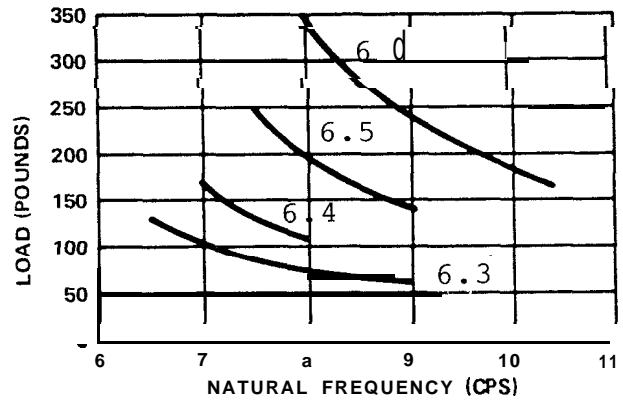
Figure 2 Bushing Style



MATERIAL: Natural Rubber



Deflections below the line X-X are considered safe practice for static loads; data above that line are useful for calculating deflections under dynamic loads



MODEL

LOAD CAPACITY (MAX LBS)

6.3
6.4
6.5
6.6

120
160
250
350